

Maisondada.

MAJOR TOM

ARMCHAIR - 2020

Design by THOMAS DARIEL

Major Tom's Seatings collection, designed by Thomas Dariel, includes Armchair, sofa and Ottoman and hails its name from the fictional character referenced in David Bowie's song « Space Oddity » that depicts an astronaut which casually slips the bonds of the world to journey beyond the stars.



MATERIALS & FINISHES

PRODUCT NO

UPHOLSTERY

MATERIALS

FUR-MT-ARM

CATEGORY A
Kvadrat - Sprinkles Collection - All Colors
Kvadrat - Uniform Melange Collection - All Colors

CATEGORY B
Kvadrat - Divina 3 Collection - All Colors
Kvadrat - Harald 3 Collection - All Colors

CATEGORY C
Kvadrat - Remix Collection - All Colors

- Structure in solid timber and plywood.
- Memory foam base and seating fully upholstered in fabric.
- Recommended fabric : Febrik Uniform Melange Collection from Kvadrat.
- Other fabric selection and COM option available.

* COM Fabric available

DIMENSIONS & WEIGHT

PRODUCT

PACKAGING

HEIGHT

89 cm

94 cm

WIDTH

101 cm

104 cm

DEPTH

90 cm

95 cm

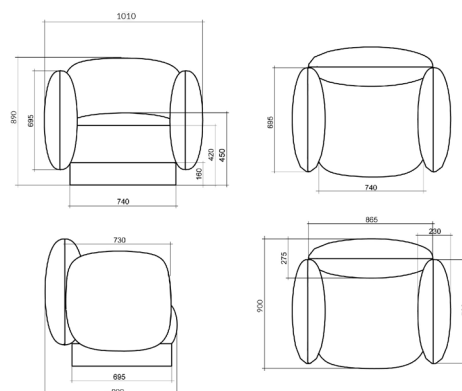
SEAT HEIGHT

45 cm

WEIGHT

35 kg (net)

37 kg (gross)



OTHERS DETAILS

MAINTENANCE

- Do not use strong cleaning agents or abrasives.
- Avoid placing the furniture near direct sunlight, heater, cooling vents or moon.
- Clean with a soft damp cloth.

- For more fabric instructions : <https://kvadrat.dk/care-and-maintenance>

SAFETY

Do not stand or step on the furniture.

For more information : www.maisondada.com