

# Maisondada.

## MAJOR TOM

ARMCHAIR - 2020

Design by THOMAS DARIEL

Major Tom's Seatings collection, designed by Thomas Dariel, includes Armchair, sofa and Ottoman and hails its name from the fictional character referenced in David Bowie's song « Space Oddity » that depicts an astronaut which casually slips the bonds of the world to journey beyond the stars.



### MATERIALS & FINISHES

#### PRODUCT NO

#### UPHOLSTERY

#### MATERIALS

FUR-MT-ARM

**CATEGORY A**  
Kvadrat - Sprinkles Collection - All Colors  
Kvadrat - Uniform Melange Collection - All Colors

**CATEGORY B**  
Kvadrat - Divina 3 Collection - All Colors  
Kvadrat - Harald 3 Collection - All Colors

**CATEGORY C**  
Kvadrat - Remix Collection - All Colors

\* COM Fabric available

- Structure in solid timber and plywood.
- Memory foam base and seating fully upholstered in fabric.
- Recommended fabric : Febrik Uniform Melange Collection from Kvadrat.
- Other fabric selection and COM option available.

### DIMENSIONS & WEIGHT

#### PRODUCT

#### PACKAGING

HEIGHT

90 cm

94 cm

WIDTH

100 cm

104 cm

DEPTH

91 cm

95 cm

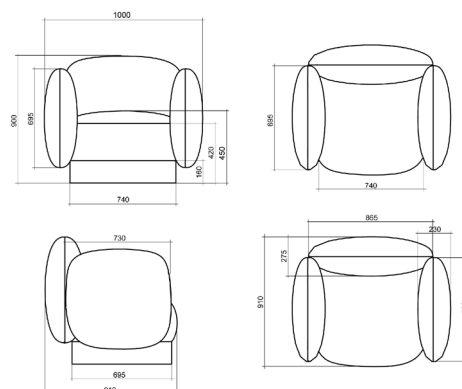
SEAT HEIGHT

45 cm

WEIGHT

35 kg (net)

37 kg (gross)



### OTHERS DETAILS

#### MAINTENANCE

- Do not use strong cleaning agents or abrasives.
- Avoid placing the furniture near direct sunlight, heater, cooling vents or moon.
- Clean with a soft damp cloth.

- For more fabric instructions : <https://kvadrat.dk/care-and-maintenance>

#### SAFETY

Do not stand or step on the furniture.

For more information : [www.maisondada.com](http://www.maisondada.com)